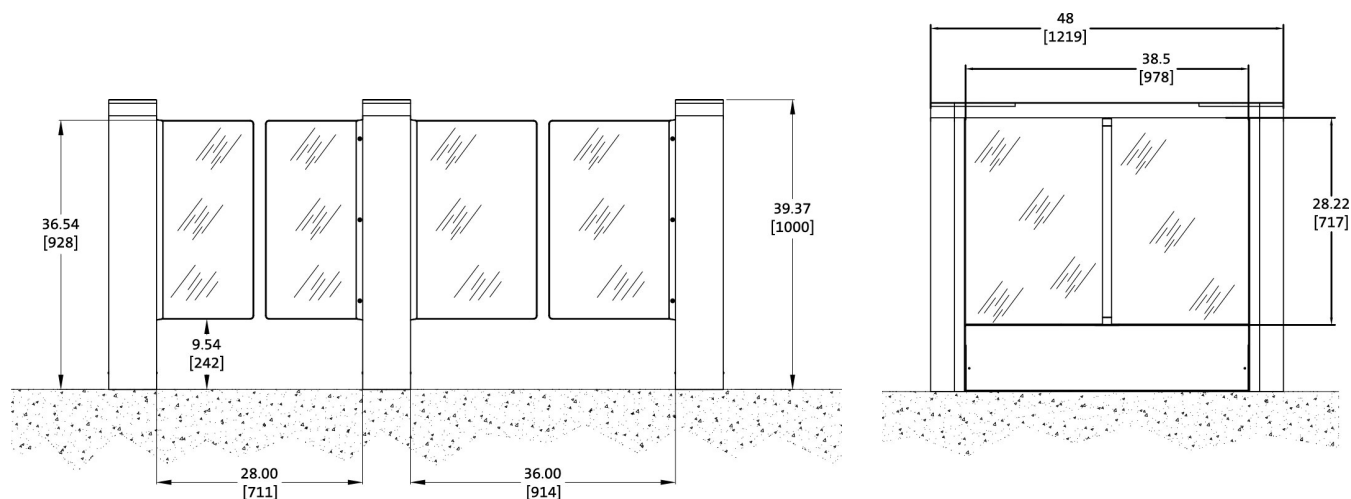


OptiStile 720

Swinging Barrier Glass Optical Turnstile



Shown with 36" high glass barrier. 48" and 60" high glass barrier also available.



For further information, please contact:

Gunnebo Entrance Control Inc.
535 Getty Ct., Benicia, CA 94510
Tel: 513-666-4821
Email: info@gunnebo.us

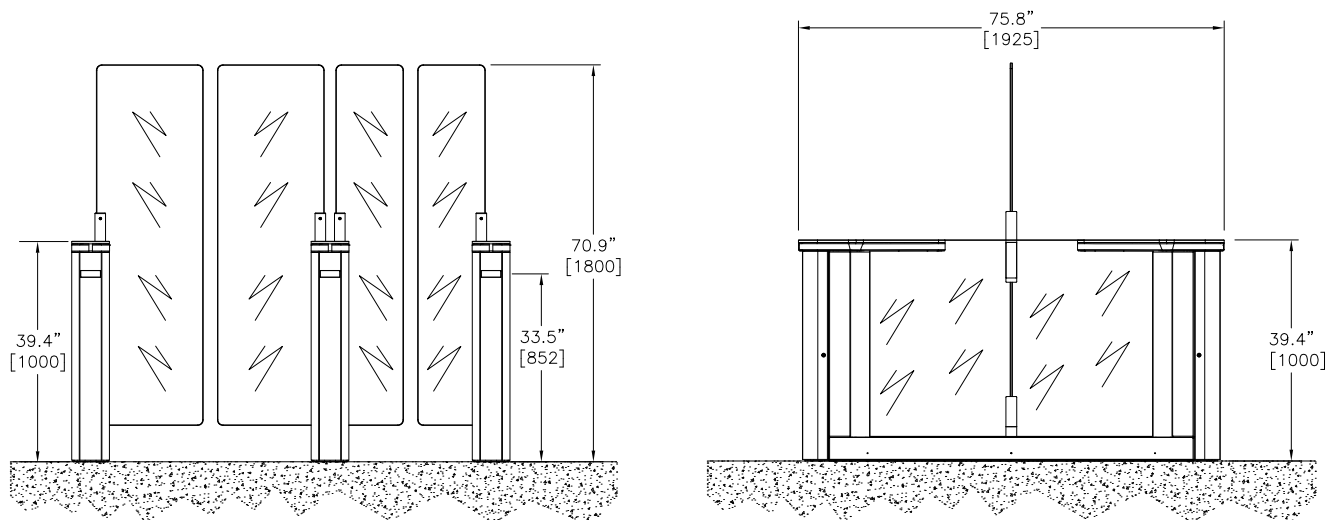
GUNNEBO®
For a safer world

SpeedStile FL

Speed Gate with Swinging Glass Barrier



59.1" or 75.8" pedestal lengths available. Shown with 70.9" high barrier glass; 39.4" and 47.2" high glass barrier also available.



For further information, please contact:

Gunnebo Entrance Control Inc.
535 Getty Ct., Benicia, CA 94510
Tel: 513-666-4821
Email: info@gunnebo.us

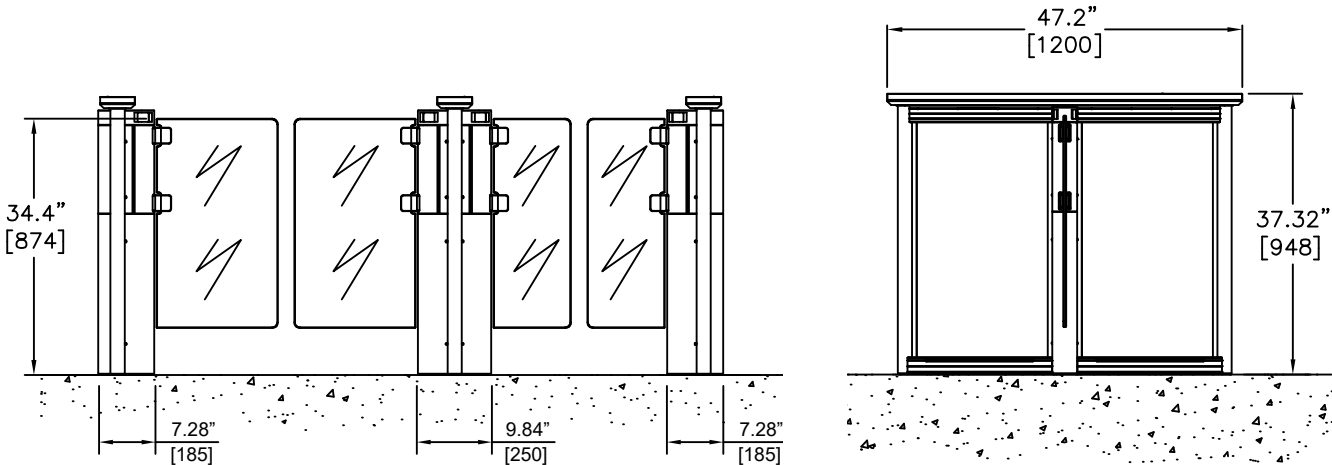
GUNNEBO[®]
For a safer world

SpeedStile FLs

Slim Profile Speed Gate with Swinging Glass Barrier



Shown with 34" high glass barrier. 47", 59", and 71" high glass barrier also available. 47", 55", or 71" pedestal lengths available.



For further information, please contact:

Gunnebo Entrance Control Inc.
535 Getty Ct., Benicia, CA 94510
Tel: 513-666-4821
Email: info@gunnebo.us

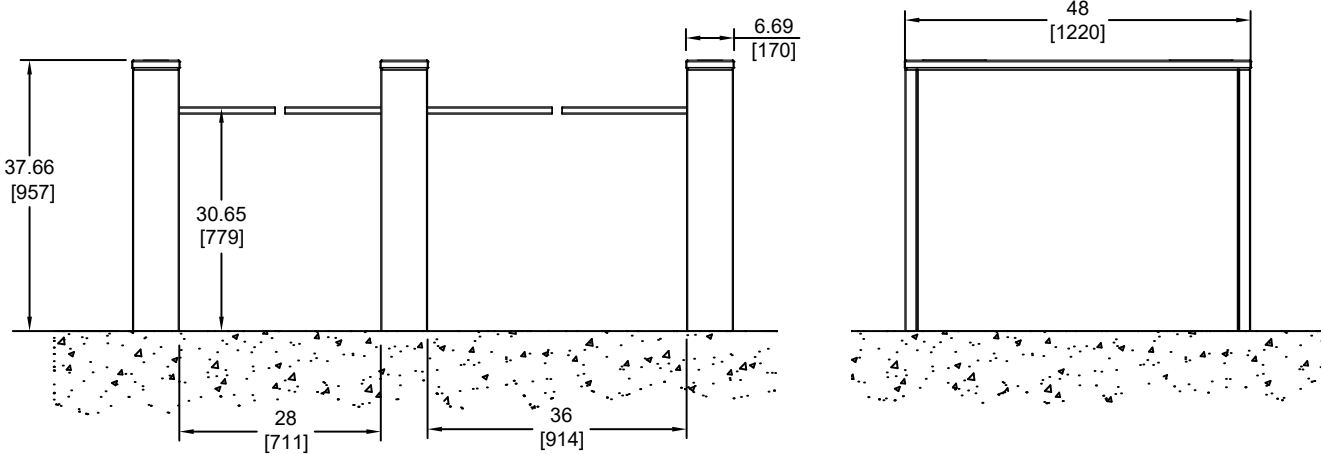
GUNNEBO[®]
For a safer world

OptiStile 220

Swinging Barrier Arm Optical Turnstile



42", 48", 60", or 72" pedestal lengths available.



For further information, please contact:

Gunnebo Entrance Control Inc.
535 Getty Ct., Benicia, CA 94510
Tel: 513-666-4821
Email: info@gunnebo.us

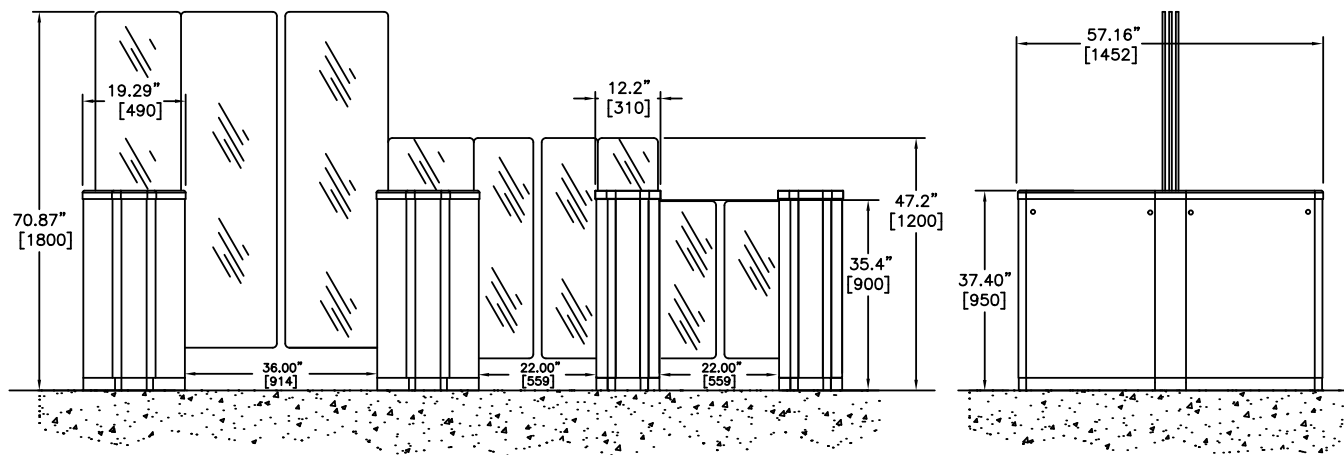


SpeedStile FP

Full Panel Speed Gate with Sliding Glass Barrier



Shown with 48" high glass barrier. 36" and 71" high glass barrier also available.



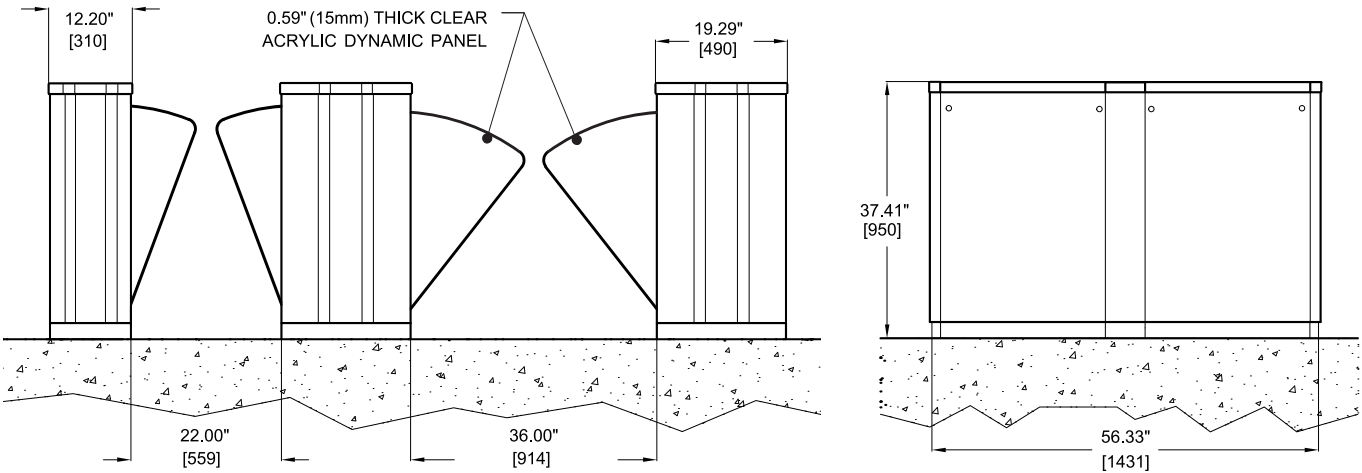
For further information, please contact:

Gunnebo Entrance Control Inc.
535 Getty Ct., Benicia, CA 94510
Tel: 513-666-4821
Email: info@gunnebo.us

GUNNEBO[®]
For a safer world

SpeedStile BP

Bi-Parting Speed Gate with Sliding Acrylic Wings



For further information, please contact:

Gunnebo Entrance Control Inc.
535 Getty Ct., Benicia, CA 94510
Tel: 513-666-4821
Email: info@gunnebo.us



Barrier Turnstiles

Accessories and Design Options

Alternative Materials, Finishes, and Custom Design	<ul style="list-style-type: none"> • Refer to Gunnebo Entrance Control Inc. for specific material design requirements • Alternative top and casework materials • Custom pedestal and barrier dimensions
Card Reader Options	<ul style="list-style-type: none"> • Mounting integration of customer supplied readers into the turnstile top or front inlays • Proximity, magnetic stripe, biometric or barcode readers all compatible • Barcode scanners mounted to accommodate visitor access and readable via an insertion method (slot) or scanning type (reading through glass inlay)
Remote Lane Control	<ul style="list-style-type: none"> • Simple push button console to control the turnstile barrier release • Custom remote push button console to specific requirements • Digital HMI touch screen with advanced controls • Remote lane control via personal computer, tablet, or smartphone
Alternative Mounting	Specialized mounting base platforms giving concealed cableway and requiring no drilling, trenching, or core drilling to the floor.
Infill Panels	Where extra space presents in a design, integrated or standalone space infill solutions can be provided.
Elevator Destination Dispatch	Mounting integration of customer supplied LCD screens for elevator destination dispatch systems.
Lane Lights and Logos	<ul style="list-style-type: none"> • Mounted upon the vertical front section of the turnstile to act as traffic light flow control • Custom LED lane lighting • Custom logos and etching on turnstile casework
Pressure Sensitive Lids	Pressure sensitive lids can be installed to provide 'jump over' alarm notification via both LED lights and an audible alarm. This option can be installed in both the entry and exit directions.

For further information, please contact:

Gunnebo Entrance Control Inc.
535 Getty Ct., Benicia, CA 94510
Tel: 513-666-4821
Email: info@gunnebo.us

GUNNEBO[®]
For a safer world